

Valves & Accessories



Wafer Style Butterfly Valves

PART NUMBER STRUCTURE

| Part Number Section | Options |
|---------------------|---|
| Type | BVG = Gear Operated Butterfly Valve BVL = Lever Operated Butterfly Valve |
| Size | XXXX = Size in inches going out 2 decimal places |
| Disc Material | NPDI = Nickel Plated Ductile Iron |
| Seat Material | BN = NBR |

FEATURES

- Operator flange conforms to ISO 5211. Designed to work with manual, pneumatic or electric actuators.
- The rubber seat is non-collapsible, stretch resistant, and blowout proof.
- The precision machined disc ensures low operating torque and effective sealing up to 200 psi. The hydro-dynamically designed disc allows for high capacity flow.
- One piece shaft design ensures dependability and positive disc positioning.
- Valves are epoxy coated and incorporate “zerk” style grease fittings for easy lubrication on neck & gearbox (if applicable).

MATERIALS

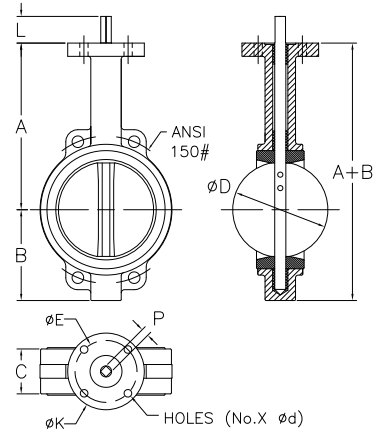
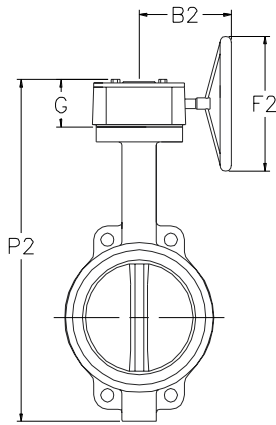
| Part | Material |
|-------|----------------------------|
| Body | Epoxy Coated Cast Iron |
| Disc | Nickel Plated Ductile Iron |
| Shaft | 400 Series Stainless |
| Seat | NBR |
| Pin | Stainless Steel |

OPERATING CONDITIONS

| Nominal Size | | 2 - 12 | 14 - 28 |
|------------------|----------|-------------|-------------|
| Working Pressure | | 200 psi | 150 psi |
| Test Pressure | Shell | 300 psi | 300 psi |
| | Seat | 220 psi | 170 psi |
| Working Temp. | NBR Seat | 25° - 190°F | 25° - 190°F |

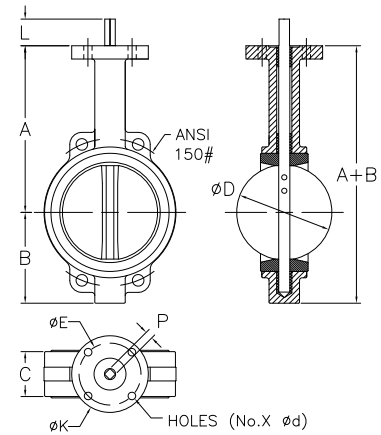
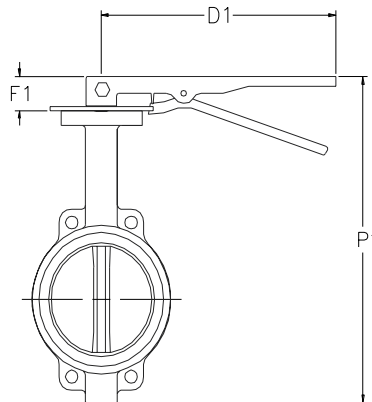
Notes:

- Disc materials is also available in Aluminum Bronze and Stainless Steel (may be subject to minimum order quantity)
- Seat is available in other materials including EPDM (may be subject to minimum order quantity)
- Shorter levers are available for sizes 6" to 12".



WAFER STYLE BUTTERFLY VALVE - GEAR OPERATOR

| API Part Number | Size | A | B | A + B | C | ØE | ØK | L | P | Holes (No. x Ød) | B2 | G | P2 | F2 |
|-----------------|------|-------|-------|-------|------|-------|-------|------|-------|------------------|-------|------|-------|-------|
| BVG0200-NPDI-BN | 2 | 5.56 | 2.70 | 8.26 | 1.65 | 1.97 | 3.03 | 1.18 | 0.354 | 4 x 0.276 | 6.06 | 2.52 | 10.78 | 5.91 |
| BVG0250-NPDI-BN | 2.5 | 5.92 | 2.99 | 8.91 | 1.75 | 1.97 | 3.03 | 1.18 | 0.354 | 4 x 0.276 | 6.06 | 2.52 | 11.43 | 5.91 |
| BVG0300-NPDI-BN | 3 | 6.16 | 3.88 | 10.04 | 1.75 | 1.97 | 3.03 | 1.18 | 0.354 | 4 x 0.276 | 6.06 | 2.52 | 12.56 | 5.91 |
| BVG0400-NPDI-BN | 4 | 6.61 | 4.68 | 11.29 | 2.01 | 2.76 | 3.54 | 1.18 | 0.433 | 4 x 0.394 | 6.06 | 2.52 | 13.81 | 5.91 |
| BVG0500-NPDI-BN | 5 | 7.34 | 5.09 | 12.44 | 2.15 | 2.76 | 3.54 | 1.18 | 0.551 | 4 x 0.394 | 6.06 | 2.52 | 14.96 | 5.91 |
| BVG0600-NPDI-BN | 6 | 8.10 | 5.59 | 13.69 | 2.15 | 2.76 | 3.54 | 1.18 | 0.551 | 4 x 0.394 | 6.06 | 2.52 | 16.21 | 5.91 |
| BVG0800-NPDI-BN | 8 | 9.08 | 6.93 | 16.01 | 2.35 | 4.02 | 4.92 | 1.34 | 0.669 | 4 x 0.472 | 8.82 | 2.91 | 18.92 | 11.22 |
| BVG1000-NPDI-BN | 10 | 10.63 | 8.22 | 18.85 | 2.64 | 4.02 | 4.92 | 1.34 | 0.866 | 4 x 0.472 | 8.82 | 2.91 | 21.76 | 11.22 |
| BVG1200-NPDI-BN | 12 | 12.91 | 9.78 | 22.69 | 2.97 | 4.02 | 4.92 | 1.34 | 0.866 | 4 x 0.472 | 8.46 | 2.95 | 25.64 | 11.22 |
| BVG1400-NPDI-BN | 14 | 14.49 | 10.51 | 25.00 | 2.99 | 4.02 | 5.51 | 1.77 | 0.866 | 4 x 0.472 | 8.27 | 5.04 | 30.04 | 11.22 |
| BVG1600-NPDI-BN | 16 | 15.75 | 12.44 | 28.19 | 4.02 | 5.51 | 7.76 | 2.05 | 0.945 | 4 x 0.709 | 10.16 | 5.04 | 33.23 | 11.22 |
| BVG1800-NPDI-BN | 18 | 16.61 | 13.15 | 29.76 | 4.49 | 5.51 | 7.76 | 2.05 | 1.063 | 4 x 0.709 | 10.16 | 5.04 | 34.80 | 11.22 |
| BVG2000-NPDI-BN | 20 | 18.90 | 14.56 | 33.46 | 5.00 | 5.51 | 7.76 | 2.52 | 1.417 | 4 x 0.709 | 11.22 | 5.04 | 38.50 | 15.16 |
| BVG2400-NPDI-BN | 24 | 22.13 | 18.42 | 40.55 | 5.94 | 6.50 | 10.86 | 2.76 | 1.417 | 4 x 0.906 | 11.22 | 5.51 | 46.85 | 15.16 |
| BVG2800-NPDI-BN | 28 | 24.63 | 20.50 | 45.13 | 6.50 | 10.00 | 11.81 | 3.74 | 2.490 | 8 x 0.709 | 14.13 | 6.22 | 51.38 | 16.75 |



WAFER STYLE BUTTERFLY VALVE - LEVER OPERATOR

| API Part Number | Size | A | B | A + B | C | ØE | ØK | L | P | Holes (No. x Ød) | P1 | D1 | F1 |
|-----------------|------|-------|------|-------|------|------|------|------|-------|------------------|-------|-------|------|
| BVLO200-NPDI-BN | 2 | 5.56 | 2.70 | 8.26 | 1.65 | 1.97 | 3.03 | 1.18 | 0.354 | 4 x 0.276 | 9.44 | 10.47 | 1.18 |
| BVLO250-NPDI-BN | 2.5 | 5.92 | 2.99 | 8.91 | 1.75 | 1.97 | 3.03 | 1.18 | 0.354 | 4 x 0.276 | 10.09 | 10.47 | 1.18 |
| BVLO300-NPDI-BN | 3 | 6.16 | 3.88 | 10.04 | 1.75 | 1.97 | 3.03 | 1.18 | 0.354 | 4 x 0.276 | 11.22 | 10.47 | 1.18 |
| BVLO400-NPDI-BN | 4 | 6.61 | 4.68 | 11.29 | 2.01 | 2.76 | 3.54 | 1.18 | 0.433 | 4 x 0.394 | 12.47 | 10.47 | 1.18 |
| BVLO500-NPDI-BN | 5 | 7.34 | 5.09 | 12.44 | 2.15 | 2.76 | 3.54 | 1.18 | 0.551 | 4 x 0.394 | 13.62 | 10.47 | 1.18 |
| BVLO600-NPDI-BN | 6 | 8.10 | 5.59 | 13.69 | 2.15 | 2.76 | 3.54 | 1.18 | 0.551 | 4 x 0.394 | 14.87 | 10.47 | 1.18 |
| BVLO800-NPDI-BN | 8 | 9.08 | 6.93 | 16.01 | 2.35 | 4.02 | 4.92 | 1.34 | 0.669 | 4 x 0.472 | 17.35 | 14.17 | 1.34 |
| BVL1000-NPDI-BN | 10 | 10.63 | 8.22 | 18.85 | 2.64 | 4.02 | 4.92 | 1.34 | 0.866 | 4 x 0.472 | 20.19 | 14.17 | 1.34 |
| BVL1200-NPDI-BN | 12 | 12.91 | 9.78 | 22.69 | 3.03 | 4.02 | 4.92 | 1.34 | 0.866 | 4 x 0.472 | 24.03 | 19.69 | 1.34 |

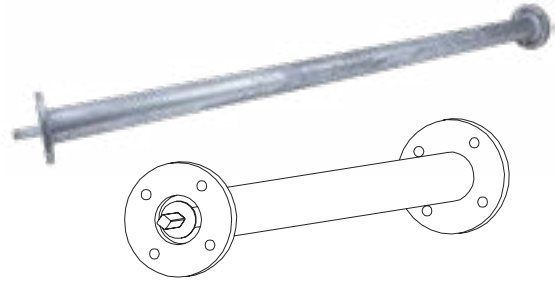
ALL DIMENSIONS ARE IN INCHES UNLESS OTHERWISE STATED.

DC# 0621

Valve Extensions (For Butterfly Valves)

FEATURES

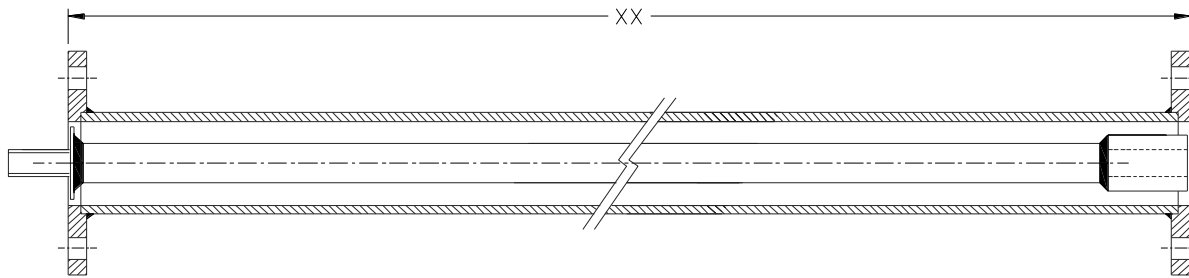
- Valve extensions can be used for underground service or in riser systems to enable easier access for opening and shutting butterfly valves.
- Galvanized steel for excellent corrosion resistance.



ALL DIMENSIONS ARE IN INCHES UNLESS OTHERWISE STATED.

COMPLETE SET INFORMATION (VE-D):

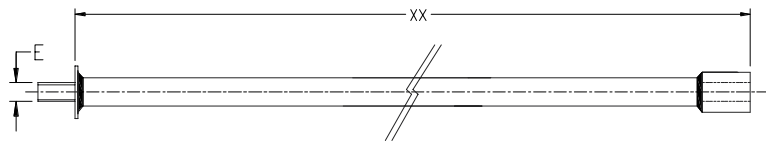
| Complete Set Part Number | Valve/Extension Size | Extension Shaft Part Number | Extension Housing Part Number |
|--------------------------|----------------------|-----------------------------|-------------------------------|
| VE0400D-XX | 4 | VEIS4D-XX | VEHS-XX |
| VE0500D-XX | 5 | VEIS56D-XX | VEHS-XX |
| VE0600D-XX | 6 | VEIS56D-XX | VEHS-XX |
| VE0800D-XX | 8 | VEIS8D-XX | VEHL-XX |
| VE1000D-XX | 10 | VEIS1012D-XX | VEHL-XX |
| VE1200D-XX | 12 | VEIS1012D-XX | VEHL-XX |



Note: "XX" = Length of Valve Extension (36",48", or 72")

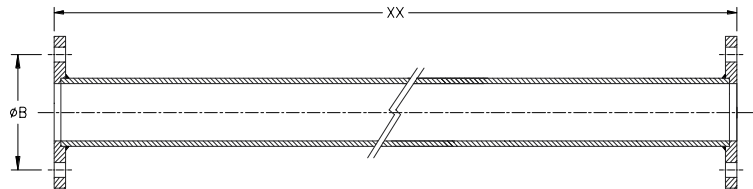
Shaft Information (VEIS-D)

| Housing Part Number | Size | Diagonal Head Size (E) |
|---------------------|------|------------------------|
| VEIS4D-XX | 4 | 0.433 |
| VEIS56D-XX | 5 | 0.551 |
| VEIS56D-XX | 6 | 0.551 |
| VEIS8D-XX | 8 | 0.669 |
| VEIS1012D-XX | 10 | 0.866 |
| VEIS1012D-XX | 12 | 0.866 |



Housing Information (VEH)

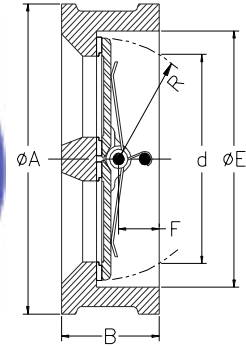
| Housing Part Number | Size | Bolt Circle Diameter (Øb) |
|---------------------|------|---------------------------|
| VEHS-XX | 4 | 2.76 |
| VEHS-XX | 5 | 2.76 |
| VEHS-XX | 6 | 2.76 |
| VEHL-XX | 8 | 4.02 |
| VEHL-XX | 10 | 4.02 |
| VEHL-XX | 12 | 4.02 |



Double Door Check Valves

FEATURES

- Small, lightweight, and easy to maintain.
- Two torsion springs close valve plates quickly and automatically.
- Quick spring action prevents back-flow, eliminates water hammering, and provides minimal head loss.
- Valve can be installed vertically or horizontally.
- Applications include HVAC, compressed air; Water supply and discharge; Irrigation and reclaim water; Process water.



ALL DIMENSIONS ARE IN INCHES UNLESS OTHERWISE STATED.

DIMENSIONS

| API Part Number | Size | B | ØE | ØA | Approximate Weight lbs |
|-----------------|------|------|-------|-------|------------------------|
| CV0200-XXXX-EP | 2 | 1.70 | 2.56 | 4.13 | 3.3 |
| CV0250-XXXX-EP | 2.5 | 1.81 | 3.15 | 4.80 | 5.3 |
| CV0300-XXXX-EP | 3 | 2.52 | 3.70 | 5.38 | 7.9 |
| CV0400-XXXX-EP | 4 | 2.52 | 4.61 | 6.90 | 12.6 |
| CV0500-XXXX-EP | 5 | 2.76 | 5.71 | 7.75 | 16.1 |
| CV0600-XXXX-EP | 6 | 2.99 | 6.69 | 8.75 | 19.8 |
| CV0800-XXXX-EP | 8 | 3.50 | 8.82 | 11.00 | 37.5 |
| CV1000-XXXX-EP | 10 | 4.49 | 10.43 | 13.38 | 57.3 |
| CV1200-XXXX-EP | 12 | 4.49 | 12.20 | 16.13 | 92.6 |
| CV1400-XXXX-EP | 14 | 5.00 | 14.17 | 17.50 | 121.3 |
| CV1600-XXXX-EP | 16 | 5.51 | 16.14 | 20.25 | 165.3 |
| CV1800-XXXX-EP | 18 | 5.98 | 17.72 | 21.50 | 225.0 |
| CV2000-XXXX-EP | 20 | 5.98 | 19.88 | 23.78 | 236.0 |
| CV2400-XXXX-EP | 24 | 7.01 | 24.57 | 28.25 | 365.0 |

PART NUMBER STRUCTURE

| Part Number Section | Options |
|---------------------------------------|--|
| Type | CV = Check Valve |
| Size | XXXX = Size in inches going out 2 decimal places |
| Disc Material *Denoted with "XXXX" | NPDI = Nickel Plated Ductile Iron 304 = 304 Stainless Steel |
| Seat Material | EP = EPDM |

OPERATING CONDITIONS

| Nominal Size | 2 - 18 | | 20 - 24 | |
|---------------|------------------|--------------|--------------|---------|
| | Working Pressure | 200 psi | | 150 psi |
| Test Pressure | Shell | 300 psi | 225 psi | |
| | Seat | 220 psi | 168 psi | |
| Working Temp. | EPDM Seat | 10° - 250° F | 10° - 250° F | |

Notes:

- Not for use in Oil & Gas industries.
- Valve seat is available in other materials including Neoprene and NBR (may be subject to minimum order quantity)

MATERIALS

| Part | Material |
|----------------|---|
| Body | Cast Iron - ASTM A126 Cl. B |
| Disc | Nickel Plated Ductile Iron or 304 Stainless Steel |
| Hinge Pin | Stainless Steel |
| Stop Pin | Stainless Steel |
| Spring | Stainless Steel |
| Seat | EPDM |
| Shaft end Plug | Mild/Carbon Steel |
| Finish | Epoxy Coated - Blue |

REPLACEMENT SPRING KITS

| API Part Number | DESCRIPTION |
|-----------------|------------------------------|
| CVK0400 | 4" KIT (1 SHAFT; 2 SPRINGS) |
| CVK0600 | 6" KIT (1 SHAFT; 2 SPRINGS) |
| CVK0800 | 8" KIT (1 SHAFT; 2 SPRINGS) |
| CVK1000 | 10" KIT (1 SHAFT; 2 SPRINGS) |
| CVK1200 | 12" KIT (1 SHAFT; 2 SPRINGS) |
| CVK1400 | 14" KIT (1 SHAFT; 2 SPRINGS) |
| CVK1600 | 16" KIT (1 SHAFT; 2 SPRINGS) |

PRV Series - Pressure Relief Valves

USES

- PRV series pressure relief valves are suitable for most aluminum sprinklers and higher pressure plastic pipe.

FEATURES

- Constructed from high strength aluminum castings with stainless steel shaft, tempered steel spring, and nonsticking Teflon seal and bushings.
- Dependable, top spring design (out of flow) assures longer & more accurate operation.
- Valves can be ordered factory set and sealed under actual hydrostatic conditions, or shipped for final field adjustment.
- End connection is with standard Female pipe threads.



ALL DIMENSIONS ARE IN INCHES UNLESS OTHERWISE STATED.

RATINGS / CAPACITIES

| API Part Number | Size | Pressure Relief Settings Range | Body | Shaft | Spring | No. |
|-----------------|------|--------------------------------|----------|-----------------|----------------|-----|
| PRV0200-L | 2 | 22 - 50 psi | Aluminum | Stainless Steel | Tempered Steel | 1 |
| PRV0200-S | 2 | 40 - 120 psi | Aluminum | Stainless Steel | Tempered Steel | 1 |
| PRV0300-L | 3 | 22 - 40 psi | Aluminum | Stainless Steel | Tempered Steel | 1 |
| PRV0300-S | 3 | 40 - 100 psi | Aluminum | Stainless Steel | Tempered Steel | 1 |
| PRV0300-H | 3 | 101 - 150 psi | Aluminum | Stainless Steel | Tempered Steel | 2 |
| PRV0400-L | 4 | 40 - 60 psi | Aluminum | Stainless Steel | Tempered Steel | 1 |
| PRV0400-S | 4 | 70 - 110 psi | Aluminum | Stainless Steel | Tempered Steel | 2 |
| PRV0400-H | 4 | 81 - 150 psi | Steel | Stainless Steel | Tempered Steel | 2 |

PART NUMBER STRUCTURE

| Part Number Section | Options |
|---------------------|--|
| Type | PRV = Pressure Relieve Valve |
| Size | XXXX = Size in inches going out 2 decimal places |
| Pressure Rating | L = Low S = Standard H = High |
| Pressure Setting | XXX = Pressure setting in PSI |

*Please contact API Sales for additional pressure ratings.